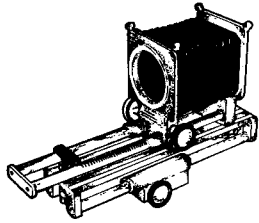
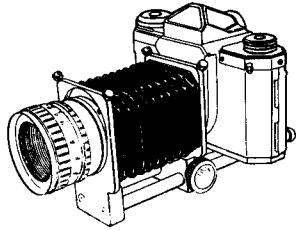


**A**

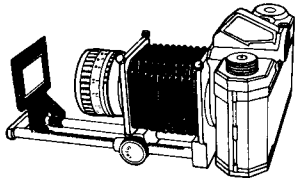


**BELLOWS**

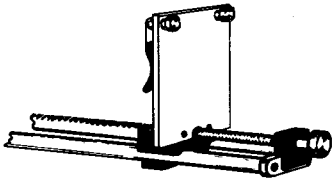


**UNIT**

**WITH**



**MANY**



**USES**

# B.P.M.

*Photographic  
Equipment*

**PRECISION AIDS TO S.L.R.  
CLOSE-UP PHOTOGRAPHY  
AND COPYING**

March 77

Printed by Design and Print, Dolphin Road, Shoreham-by-Sea, Sx.

**MADE IN ENGLAND**

# B.P.M. UNIVERSAL BELLOWS UNIT

For use with most 35mm. single lens reflex cameras with focal plane shutters and interchangeable lenses.

- ★ **A 3 IN 1 EXTENSION UNIT**
- ★ **PRECISION ULTRA CLOSE-UPS**
- ★ **2"x2" SLIDE REPRODUCTION**
- ★ **TELEPHOTOGRAPHY**

Alloy Interchangeable Lens Mounts with quick precision location. Allows the unit to be used with the pillars in front or reversed back under the Camera.

Each unit is supplied complete with one back and one front mount. Extra mounts can be purchased at any time.

Frame supplied for reproducing 35mm. slides or copying negatives.

Twin focussing pillars with rack and pinion movement. Rigid lock.

Extension Range from 30mm. to 150mm. (1½in. to 6in.).

Scale for calculating exposures. Full instructions with each unit.

Two Tripod holes for balanced support.

If you change your camera this unit is **not redundant**. Just change the mounts to the new type fitting.

One basic unit can be used on any of the following cameras with the use of our interchangeable lens mounts.

**BAYONET FITTINGS** available: Firstflex, Exakta, Exa, Praktina, Petriflex, Nikon F, Nikkormat, Nikkorex F, Nikon with Photomic Head, Minolta, Singlex, Alpa, Pen F, Pen FT, Yashica Pentamatic, Topcon R.E., Plusflex, Leicaflex, Leica M series, Argus, Canon Konica Autoreflex T, Icarex, Olympus OM series, Rolleiflex SL35, Pentax K, Contax RTS, Yashica FX, Miranda, Miranda Sensorex.

**STANDARD SCREW FITTINGS** available: 42mm thread, Pentax, Praktica Auto, Zenith, Leica Screw, "C" & "D" cine lens mount.

**LEITZ LENS HEADS** Thread sizes:- 28.5mm., 33mm., 39mm., 43mm., 46mm. **REVERSING RING MOUNTS** Designed for using lenses inverted for optimum definition on extreme close-up work. Available in 39mm, 40.5mm, 44mm, 46mm, 48mm, 49mm, 52mm, 55mm and 58mm Filter mount sizes.

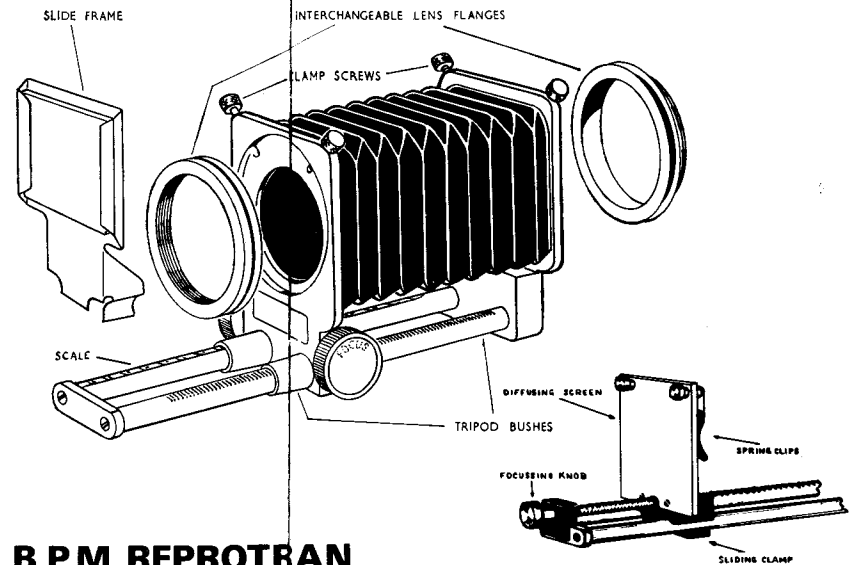
**MOUNT CONNECTORS** One mount connector can be used to hold any two B.P.M. interchangeable mounts back to back to enable it to be used as a short extension tube.

**IT IS IMPORTANT TO STATE MAKE AND MODEL OF CAMERA WHEN ORDERING.**

Special mounts are supplied and must be used with the following cameras: Nikon, with photomic head, Miranda sensorex, Pen F.T., Praktica all models.

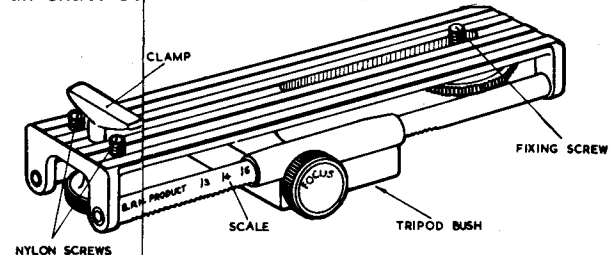
**TELEPHOTOGRAPHY.** Extra mounts can be made to suit non-standard lenses. This will allow lenses from old film or plate cameras to be used as long focus lenses. Any 3in. to 6in. lens without any means of focussing is suitable. The bellows becomes a focussing mount. Telephoto magnification can be found by dividing standard lens into focal length of long focus lens.

Blank mounts can be supplied for customers own fitting, or we can machine mounts to suit most special lenses.



## B.P.M. REPROTRAN

Advanced copy attachment for use on the B.P.M. Universal Bellows Unit, for the serious worker, with a fine focussing screw for quick accurate focus of the original. Provision for copying uncut film. Slides can be placed in most positions for enlarging portion of a slide. Transparencies larger than 24 x 36mm can be reproduced to 35mm. Complete with comprehensive instruction booklet. **SUPPLEMENTARY HOOD** for excluding light between lens and transparency available as an extra. Secured to camera lens with a B.P.M. Reversing ring mount.



## B.P.M. FOCUSLIDE

An auxiliary slide to enable bellows unit with camera attached to be accurately and quickly focussed. Designed for use on any S.L.R. camera with any bellows unit or extension tubes. Invaluable for macro-focus cine-cameras, 4½ins. of travel. Rack and pinion focus. Clamp for secure fixing of bellows unit. Solid lock.

**BUTTERFIELD PHOTOGRAPHIC MFG. CO.,  
NORWAY ST., PORTSLADE, SUSSEX**